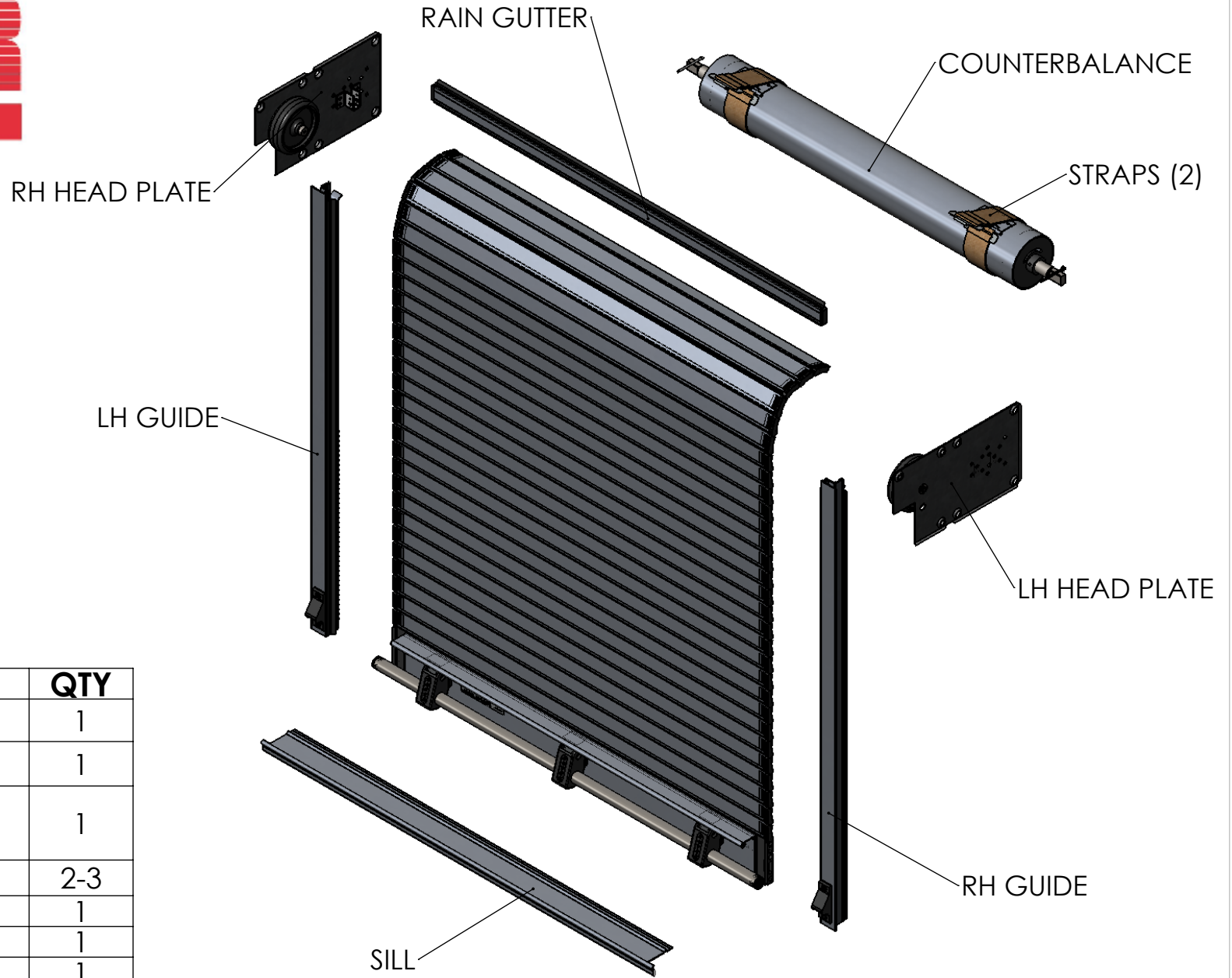


# DOVER

Roller Shutters



PART	QTY
RH HEAD PLATE	1
LH HEAD PLATE	1
COUNTER BALANCE (CB)	1
STRAPS	2-3
CURTAIN	1
LH GUIDE	1
RH GUIDE	1
SILL	1
RAIN GUTTER	1

**PROPRIETARY AND CONFIDENTIAL**  
 THE INFORMATION CONTAINED IN THIS DRAWING IS THE SOLE PROPERTY OF DOVER ROLLER SHUTTERS. ANY REPRODUCTION IN PART OR AS A WHOLE WITHOUT THE WRITTEN PERMISSION OF DOVER ROLLER SHUTTERS IS PROHIBITED.

DESCRIPTION:  
**EXPLODED ASSEMBLY**

DRAWN BY:  
 B. COURTNEY

SCALE: NTS