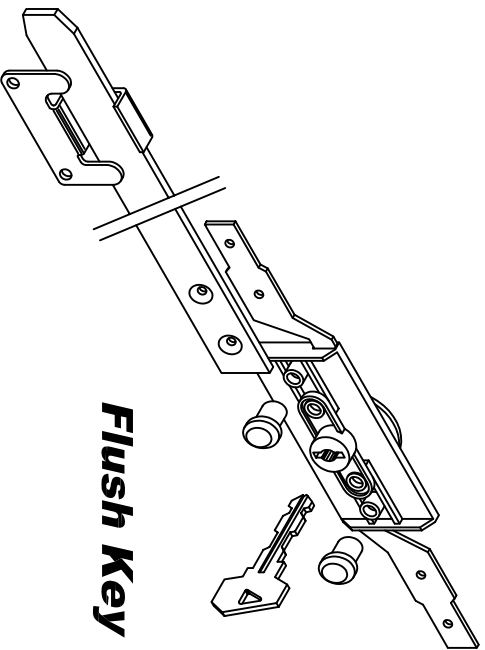
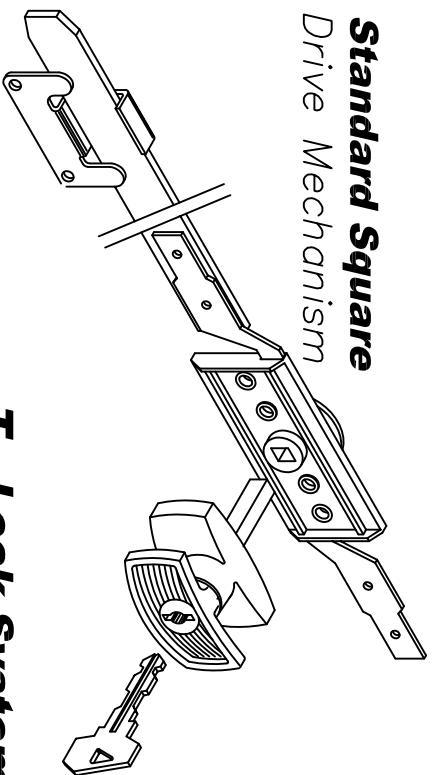


## DOVER Bar Lock

Strike Block with  
optional Micro Switch



## Flush Key Lock



## Standard Square Drive Mechanism

**T - Lock System**  
Locking or Non Locking

REV. NO.	DESCRIPTION	BY	DATE

<b>DIAMOND</b>	
DIAMOND ROLL-UP DOOR, INC. 295 COMMERCE WAY UPPER SANDUSKY, OH 43351 PHONE: 419-294-3373 FAX: 419-294-3329	
DESCRIPTION: NYLOY30 Lock Options	
SCALE: NTS	DRAWN: D.Lohr
DATE: 03-30-2004	PART NUMBER:
GENERAL TOLERANCES: Linear Measurements: +/- .125 Angular Measurements: unless otherwise stated +/- .0.5 deg.	
DRAWING NUMBER: DRS-1038	

*CONFIDENTIAL NOTE: This drawing and its specifications and engineering information disclosed hereon are the property of DIAMOND ROLL-UP DOOR INC. and are not to be disseminated or reproduced without express written consent. The drawing is loaned in confidence and then only for consideration of the material disclosed hereon. In accepting loan of this drawing, the recipient agrees to keep it and the material disclosed hereon in confidence and not to use nor permit their use in any way detrimental to DIAMOND ROLL-UP DOOR INC.*