



2 EA ARCHITECTURAL ORDER FORM
 P.O. BOX 420
 295 COMMERCE WAY
 UPPER SANDUSKY, OH 43351
 PH: (419)294-3373 FAX: (419)294-3329
 WWW.doverrollersutters.com

CUSTOMER: _____ P.O. #: _____
 CONTACT: _____ QTY: _____ PRICE: _____
 PHONE: _____ EMAIL: _____
 FREIGHT: _____ SHIPPING ADDRESS: _____

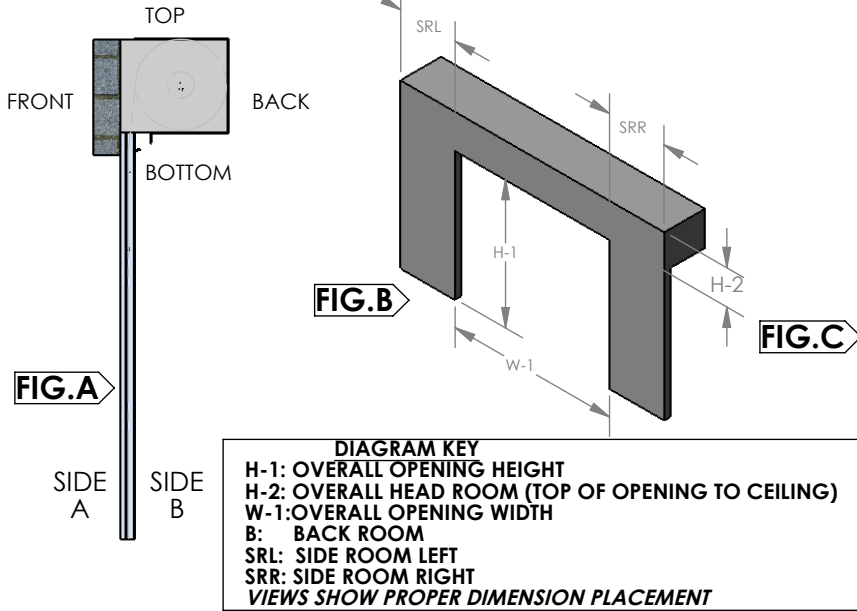
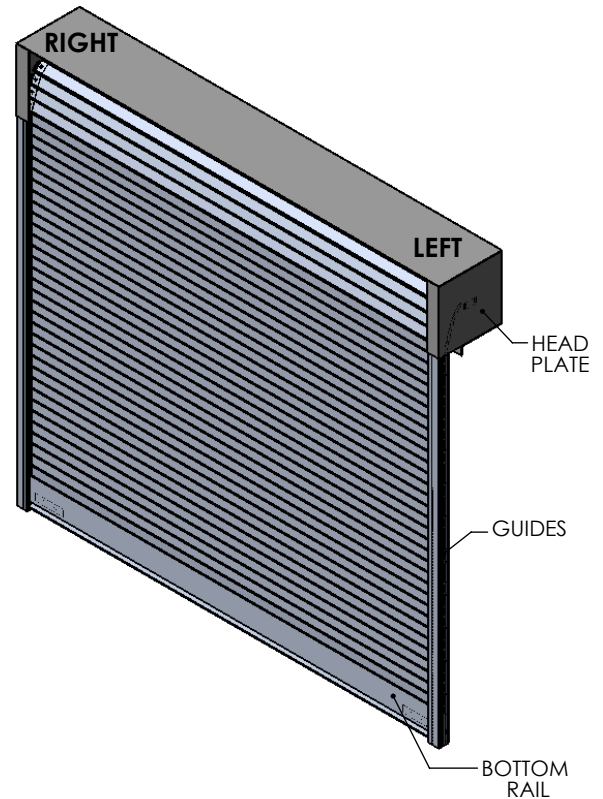


DIAGRAM KEY
 H-1: OVERALL OPENING HEIGHT
 H-2: OVERALL HEAD ROOM (TOP OF OPENING TO CEILING)
 W-1: OVERALL OPENING WIDTH
 B: BACK ROOM
 SRL: SIDE ROOM LEFT
 SRR: SIDE ROOM RIGHT
 VIEWS SHOW PROPER DIMENSION PLACEMENT



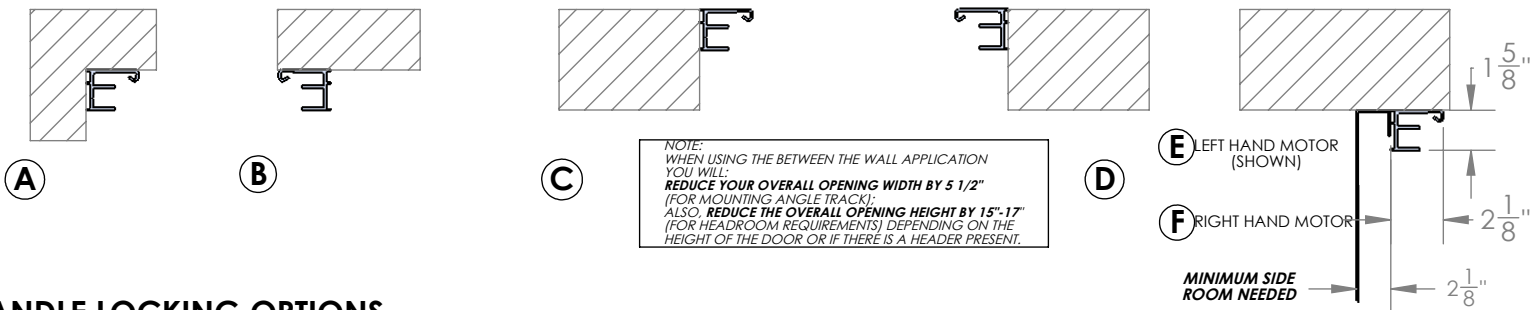
OPENING HEIGHT	HEAD ROOM REQUIRED	HEAD PLATE REQUIRED
0"-40"	13" MIN	10"x10"
40"-90"	15" MIN	12"x12"

UP TO 50 sq. ft MAX. DOOR HAND OPERATED & POWER ASSISTED

TRACK OPTIONS

FACE OF WALL MOUNT (BEHIND THE WALL)

BETWEEN THE JAMB MOUNT



NOTE:
 WHEN USING THE BETWEEN THE WALL APPLICATION YOU WILL:
 REDUCE YOUR OVERALL OPENING WIDTH BY 5 1/2"
 (FOR MOUNTING ANGLE TRACK);
 ALSO, REDUCE THE OVERALL OPENING HEIGHT BY 15"-17"
 (FOR HEADROOM REQUIREMENTS) DEPENDING ON THE HEIGHT OF THE DOOR OR IF THERE IS A HEADER PRESENT.

HANDLE LOCKING OPTIONS

- RECESSED GRAB HANDLES: Qty. _____ FLUSH CYLINDER LOCK SHOOT BOLTS
- LOCATION: BOTTOM RAIL LOCATION: WAIST HIGH BOTTOM RAIL LOCATION: INSIDE OUTSIDE

INSTRUCTIONS: PLEASE CAREFULLY MEASURE YOUR OPENING(S) AND FILL IN THE FOLLOWING

QTY.	(W-1) OPENING WIDTH	(H-1) OPENING HEIGHT	(H-2) HEAD ROOM	(B) BACK ROOM	(SRL) SIDE ROOM LEFT	(SRR) SIDE ROOM RIGHT	TRACK OPTION (A-F)	DOOR FINISH (ANODIZED OR POWDER COATED)	DOOR DRIVE (SPRING OR MOTOR)

PLEASE ALLOW 10 BUSINESS DAYS FROM THE ORDER DATE TILL SHIP DATE. YOU MAY SIGN AND RETURN YOUR ORDER via FAX AT 419-294-3329. ONCE THE ORDER IS SIGNED AND RETURNED, WE CAN BEGIN PRODUCTION ON YOUR ROLLER SHUTTERS.

I ACCEPT AND CONFIRM THIS ORDER: _____
 CUSTOMER CONFIRMATION SIGNATURE DATE