



Dover Roller Shutters
 295 Commerce Way
 Upper Sandusky OH 43351
 Phone: 419-294-3373 Fax: 419-294-3329

Opening Size Up To 120" wide Up To 90" high

2EB EXTRUDED ALUMINUM SHUTTER

Specification:

Slat:

1 1/4" high x .35 thick x .040 double walled extruded aluminum. Aluminum alloy and temper of 6063-T5

End Locks:

Interlocking and mechanically fastened nylon end locks

Side Guide (track):

Extruded aluminum guides with optional fastening locations

Bottom Rail:

Extruded aluminum section, 4" high fitted with 1 3/4" Integrated finger Rail

Operation:

Rolling spring counter balanced, Hand operated or electric, and sliding gravity feed.

Locking:

Stainless steel bar lock, Optional; flush locks, key operated & T handles, locking, paddle handle locking and non locking.

Rolling operating components:

Roller: 3" lightweight aluminum tube encasing helical coil spring.

Brackets:

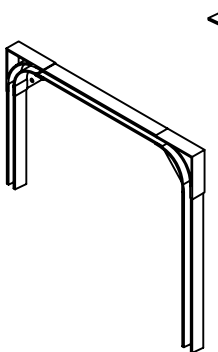
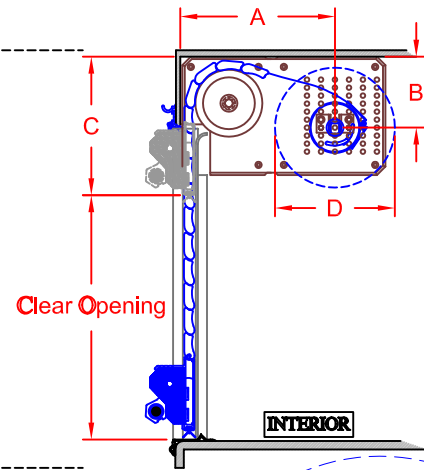
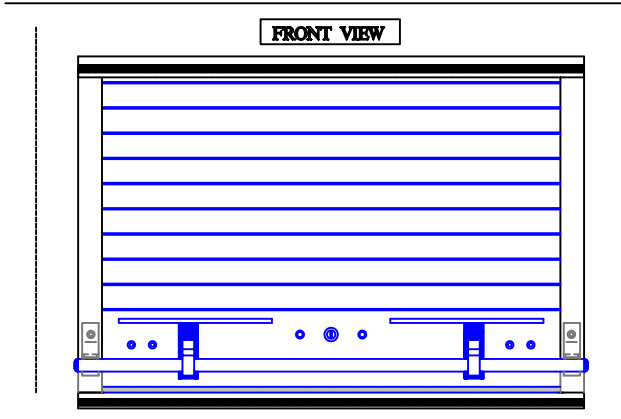
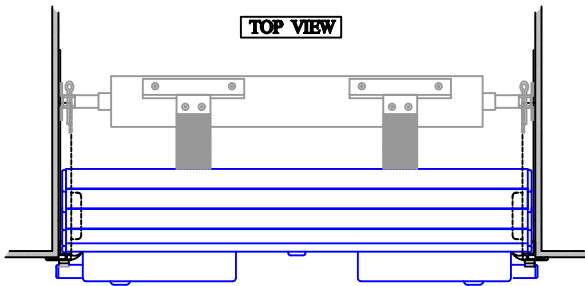
Fabricated from mild steel to suit applications

Sliding operating components:

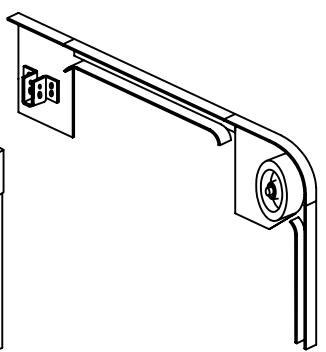
Guides incorporating molded nylon corner segments.

Roll Size Chart - 3" Roller

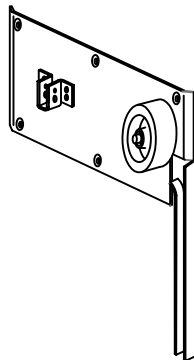
OPENING HEIGHT	A	B	C	D
20	7 3/8	3	8 1/4	5 3/8
30	7 3/4	3	8 1/4	6
40	8	3 3/8	8 1/4	6 3/4
50	8 3/8	3 5/8	8 1/4	7 1/4
60	8 3/4	3 3/4	8 1/4	7 3/4
70	9	4	8 3/8	8 3/8
80	9 3/8	4 1/2	9	9
90	9 3/4	5 5/8	9 5/8	9 5/8



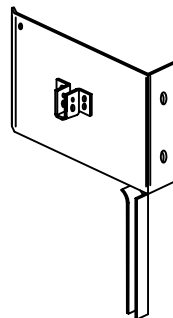
SLIDING SHUTTER - Gravity Feed



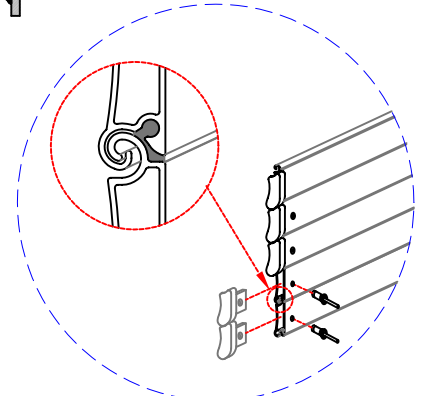
REAR ROLLER ASSISTED



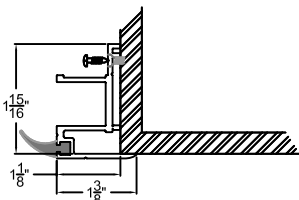
FRONT ROLLER ASSISTED



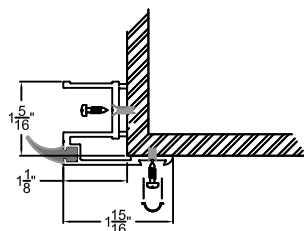
ROLLER ONLY BEHIND WALL MOUNT



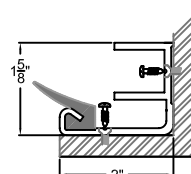
INTERGRAED RUBBER JOINT SEAL
 INTERLOCKING CURLING SLATS
 MECHANICALLY FASTENED END LOCKS



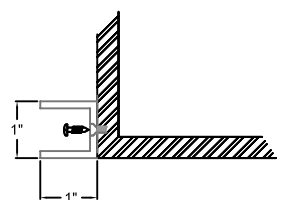
SIDE FIX GUIDES



FRONT FIX GUIDES



MOUNTING ANGLE



STANDARD U