



Opening Size Up To 70" wide Up To 80" high

# 1EA MINI EXTRUDED ALUMINIUM SHUTTER

**Specification:**

**Slat:**

1" x .047 wall extruded aluminium.  
interlocking nylon end clips fitted to end of each slat.

**Side Guide (track):**

1" x 5/8" extruded aluminium

**Bottom Rail:**

Extruded aluminium section, 2" high fitted with half-round PVC seal

**Operation:**

Rolling, spring counter balanced, hand operated or electric, and sliding gravity feed.

**Locking:**

shoot bolts, polished or plain aluminum standard.L&F flush locks, key operated, T handles, locking or non-locking.

**Rolling operating components:**

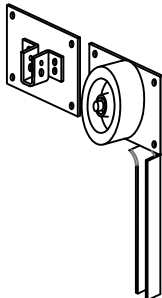
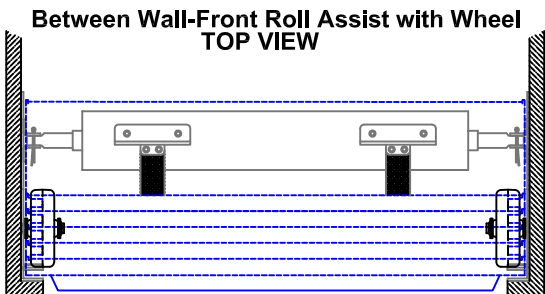
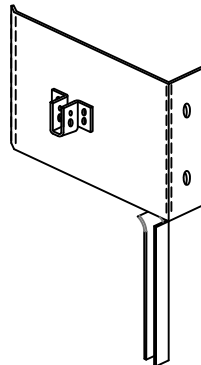
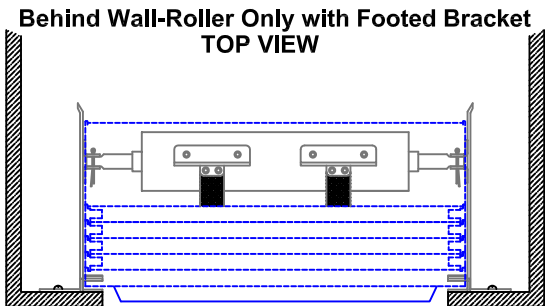
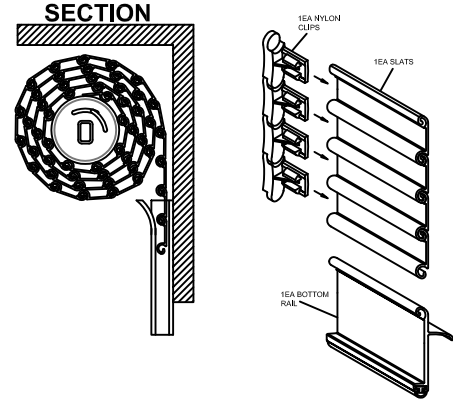
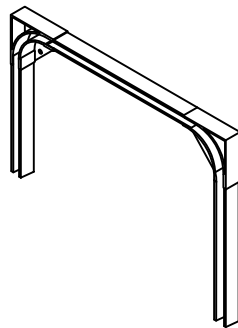
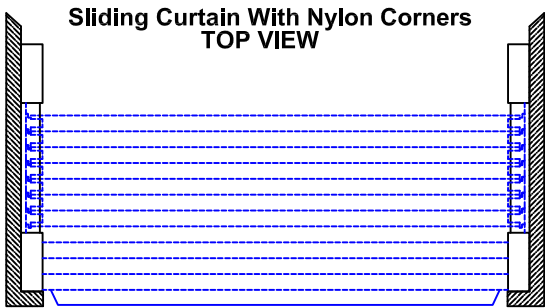
Roller: 3" lightweight aluminum tube encasing helical coil spring.

**Brackets:**

Fabricate from mild steel to suit applications

**Sliding operating components:**

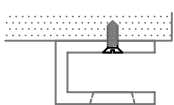
Guides incorporating moulded nylon corner segments.



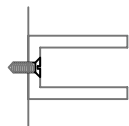
Opening Height	Header Required	Roll Diameter
20	6.5	4.5
40	7.5	5.0
60	8.75	5.75
80	9.5	6.5

Opening Height	Header Required	Roll Diameter	Back Room Required
20	3	4.5	8.5
40	3	5.0	9.0
60	4	5.75	9.75
80	4.5	6.5	10.5

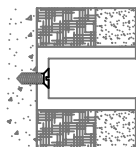
GUIDE FIXING



FACE FIXING



SIDE FIXING



RECESSED